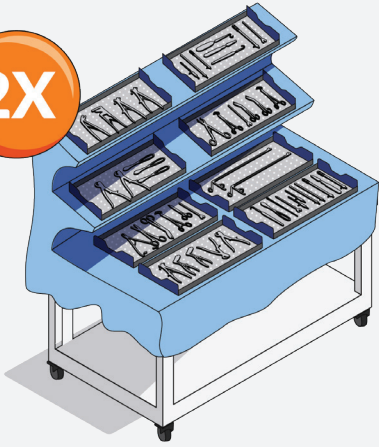
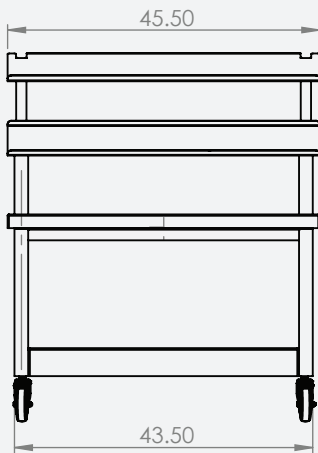


2X

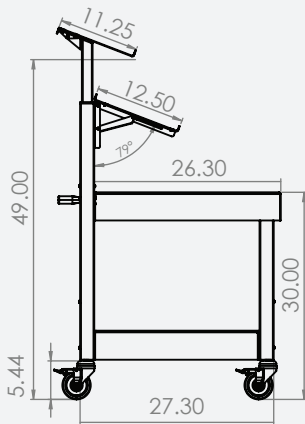


FRONT VIEW

ALL DIMENSIONS IN INCHES



SIDE VIEW



THE DOUBLE WIDE

Adjustable Multi-Tiered Back Table

Configurable Shelves

Simple Height Adjustments

Stainless Steel

Casters/Wheels



FULL TABLE

Dimensions: 45.5"L x 31.5"D

Height Range: 49" - 55"

MAIN SURFACE

Dimensions: 45.5"L x 26.3"D

Height from Floor: 30" - 36"

Weight Capacity: 300lbs*

**evenly distributed*

ANGLED SURFACES

Dimensions: 45.5"L x 11.5"D

Weight Capacity: 150lbs*

**evenly distributed*

CONFIGURABLE SHELVES



CONFIGURATION 1



CONFIGURATION 2



CONFIGURATION 3



CONFIGURATION 4

DINAMIC OR⁺

Contact us to learn more about our customizable implementation process and packages:

WWW.DINAMICOR.COM

CALL 585.433.8080

EMAIL INFO@DINAMICOR.COM