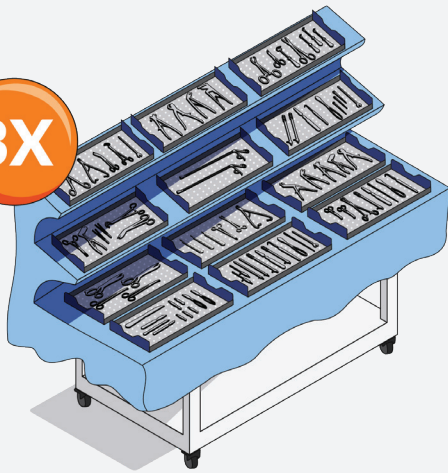
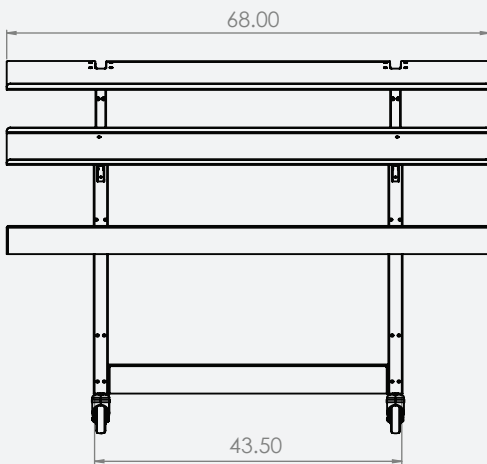


3X

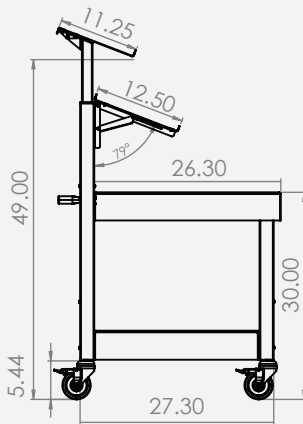


### FRONT VIEW

ALL DIMENSIONS IN INCHES



### SIDE VIEW



# THE TRIPLE WIDE

## Adjustable Multi-Tiered Back Table

Configurable Shelves

Simple Height Adjustments

Stainless Steel

Casters/Wheels



### FULL TABLE

Dimensions: 68.0"L x 31.5"D

Height Range: 49" - 55"

### MAIN SURFACE

Dimensions: 68.0"L x 26.3"D

Height from Floor: 31" - 37"

Weight Capacity: 300lbs\*

*\*evenly distributed*

### ANGLED SURFACES

Dimensions: 68.0"L x 11.5"D

Weight Capacity: 150lbs\*

*\*evenly distributed*

### CONFIGURABLE SHELVES



CONFIGURATION 1

CONFIGURATION 2

CONFIGURATION 3

CONFIGURATION 4

# DINAMIC OR<sup>+</sup>

Contact us to learn more about our customizable implementation process and packages:

WWW.DINAMICOR.COM

CALL 585.433.8080

EMAIL INFO@DINAMICOR.COM